



T32-SHIFT

INSTRUCTION FOR MOBILE PROJECTION SCREENS

MONOBLOX 32 MONOCLIP 32

Compact transport volume
due to patented snap joint technology
Special extruded and hardened aluminum alloy
allows maximum stability at minimum weight.

T32-SHIFT EXTENSION

110 cm

T32-SHIFT ENDMODULE

T32-SHIFT EXTENSION

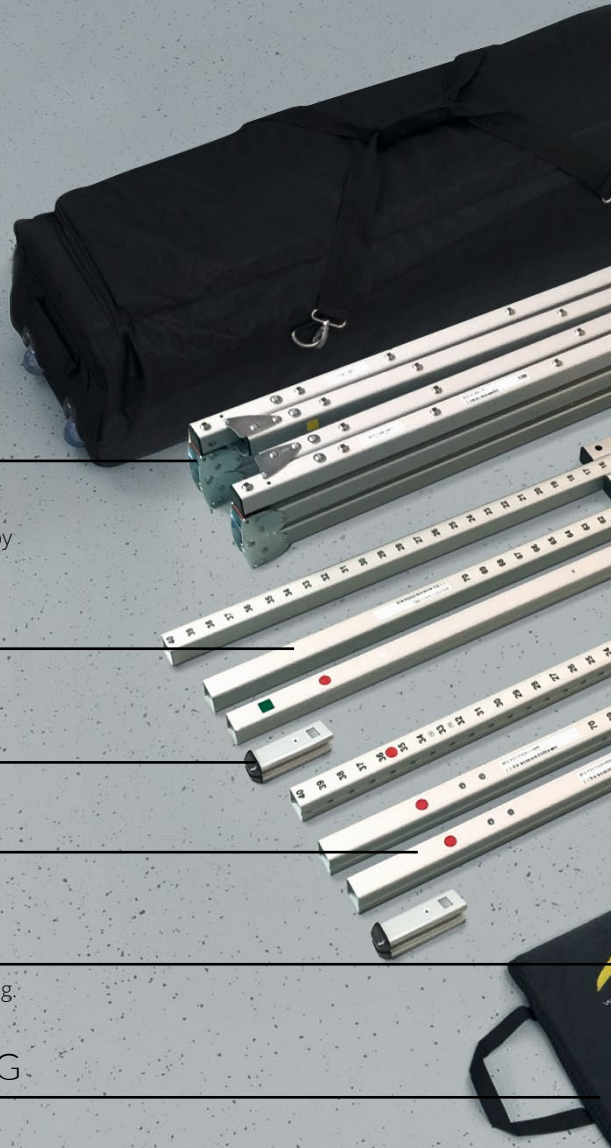
55 cm

FRAME ADAPTER

Frame adapter und transport lock in yellow bag.

PROJECTION SCREEN BAG

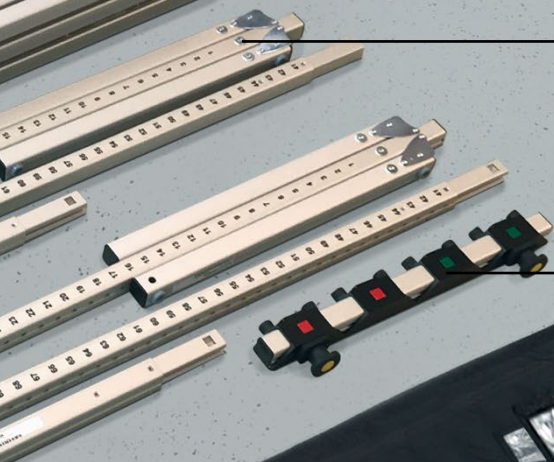
Lined storage bag for projection screen





SOFTBAG WITH WHEELS

padded, tearproof nylonbag
with wheels and carrying straps
small 128x25x30 cm
big 133x31x35 cm



T32-SHIFT BASIC MODULE

116 cm

LOCKING- AND SLIDING MODULE

on transport profile



ASSEMBLY INSTRUCTION

INDEX

GENERAL.....	5
STANDARDS, REGULATIONS AND TECHNICAL SPECIFICATION	5
SAFETY	5
OPERATION, MAINTENANCE AND SERVICE	8
WARRANTY	9
LEG VARIANTS	10
ADAPTION AND ASSEMBLY	11
ADAPTERS.....	12
ATTACHING THE T32-SHIFT LEGS.....	13
EXTENSION PARTS.....	15
HEIGHT ADJUSTMENT.....	16
DISASSAMBLY	17
TRANSPORT LOCK BOLTS	17
SUBSEQUENT VARIO FRAME MODIFICATION	18

GENERAL

The T32-SHIFT leg makes it possible for JUST ONE person to easily adjust a mobile projection screen's height, without having to disassemble it first.

The T32-SHIFT can be combined with all existing AV Stumpfl screen systems.

STANDARDS, REGULATIONS AND TECHNICAL SPECIFICATION

This projection screen is in accordance with the safety regulations in DIN standard 19045 and DIN 56950. The screen fabric is comply with DIN 4102 part 1 and the specifications of the according data sheet. For the technical details and projection-specific material parameters please refer to the corresponding product data sheet: www.AVstumpfl.com/projectionmaterials

Detailed data of frame components, legs and projection surface can be found on the type labels on each component and on the labeled soft bags, roller bags or flight cases.

SAFETY

GENERAL INFORMATION FOR THE MANUAL AND SAFETY

This operating manual forms part of the projection screen system and enables a safe and efficient operation. The safety section provides information about important safety aspects for the protection of persons, frame and projection materials. Task-related warnings/notes are also contained in the individual chapters. Read instructions through completely before proceeding and keep for future reference. You can find manuals electronically on our website: www.AVstumpfl.com/downloads

PACKAGING MATERIAL

WARNING

Danger of suffocation!

- Keep packaging material and foils away from children.
- Do not let children play with packaging material.



NOTICE

Unpack without cutter or any other sharp tool to avoid damaging of the projection screen. Remove packaging materials by hand. Unpack projection surface after assembling of the frame.



SET UP-ASSEMBLY

MECHANICAL HAZARDS



Danger of injury due to improper assembly. Make sure all frame parts assembled correctly and all hinges and joints are locked before raising screen to standing position. Falling parts can cause severe injury or death!

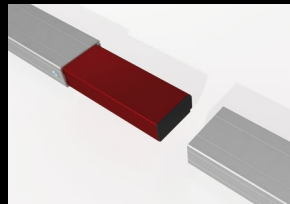
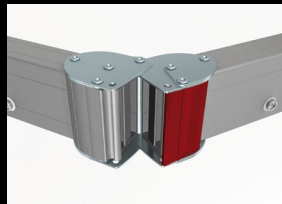
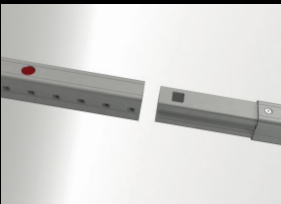
NOTICE

Projection surface damage in case of faulty assembly or set up. Make sure all frame parts assembled correctly and all hinges and joints are locked before one unfold and attach the projection surface.

FRAME AND LEG COMPONENTS



Foldable snap joints, corner hinges and plug-in connections can lead to injury to the hands (body parts). Please be careful not to pinch your fingers!



FALLING OVER

WARNING

Falling over of a projection screen can cause severe injury or death!
To avoid falling over:

- Make sure that the projection screen is in level.
- Mind the maximum set-up height of the legs - Please follow the instructions in chapter LEG HEIGHTS (site 10)
- Prevent air draft
- Use additional weights on the base profile of the leg to gain higher stability.
- Use suspension points (e.g.: EasyFly) according to the overall system weight for additional safeguarding.
- Do not put additional load on the screen frame!
- Do not use outdoors!

⚠ WARNING

Mobile projection screens are developed for indoor use only.
Failure to follow warning may result in personal injury due to unforeseen acts of nature.
Any damage and consequential damage caused by outdoor use is not covered by warranty.

BASIC SAFETY REQUIREMENTS

Basic safety requirements for „flying“ projection screens and wall- or ceiling mounting!
If persons are able to stand under the loads, fastening points and slings must not be loaded more than half the value of the load bearing capacity stated by the manufacturer.
When planning the event or production, not only dead loads but also dynamic forces, potential breakdown loads and additional loads during operation, as well as during assembly and dismantling must be taken into account.

Observe the local safety regulations!

FLYING SCREEN

If a modular projection screen is used as a “flying” (free hanging) screen, then all plug-in and clamp connections must be secured against becoming loose and falling.
It is not allowed to use the projection surface holding the frame parts in position!
Falling parts can cause severe injury or death!
Please make sure that all components are secured safely before raising screen to standing position and lifting. Use the necessary number of suspension points (e.g.: EasyFly) according to the overall system weight. A second/auxiliary safeguarding system is mandatory (e.g. steel rope catch)
Please follow the detailed instruction in the manual.

⚠ WARNING

Falling parts

It is not allowed to use the projection surface holding the frame parts in position! Falling projection screens or parts can cause severe injury or death!

WALL- OR CEILING MOUNTING

Before mounting, make sure that the wall or ceiling, as well as the fixing points meet the safety requirements of the local standards and the required load can be borne.

⚠ WARNING

Falling parts

Danger of injury due to improper disassembly.
Falling parts can cause severe injury or death!

⚠ CAUTION

Please be careful not to pinch your fingers!

Beware of pinch points.

DISASSEMBLY

For disassembly the same safety instructions apply as for assembly and set up. Bring down a projection screen with the appropriate number of people to avoid falling over of the screen.



Falling parts can cause severe injury or death!

OPERATION, MAINTENANCE AND SERVICE

FRAME ELEMENTS, LEGS AND ACCESSORIES

The frame elements, legs and additional elements are maintenance-free.

PROJECTION SURFACE

FOLDING AND STORAGE

The projection surface is packed into a separate lined soft bag to avoid any damage by the frame parts, bleaching and discoloration.

Store the projection surface cleaned and dry at room temperature only!

Identical to the delivery condition, first halve and fold the surface with the projection side inwards on the shorter side in order to avoid soiling and damage to the surface.

The surface must be folded in such a way that the reinforced black border with the caps is on top of each other on all sides. Incorrect storage can damage and discolor the surface and is not covered by the guarantee. When folding the projection surface insert the enclosed foamed plastic foil between snap buttons and surface to avoid permanent marks.

NOTICE

Additionally, following instructions have to be adhered to:

- Do not allow the projection surface to get in contact with sharp objects!
- Do not bring printed and coloring objects (instructions, magazines, etc.) in contact with the surface!
- Do not write on the projection surface!
- Colors penetrate the projection surface and cannot be cleaned anymore!

COLD BREAK

A projection foil must never be stored or transported below 5° C. There is a risk of a cold break! The film becomes very brittle and splinters like glass! When transporting the projection surface at low temperatures do not unfold the surface unless it has reached its full elasticity at room temperature. Otherwise there is the risk of cold break of the projection screen.

The ideal temperature range for assembling folding screens to prevent damaging the surface is 54°-82° F (12°-28° C). Assembling below recommended temperatures may damage surface and void warranty

CLEANING OF THE PROJECTION SURFACE

Use a white clean cotton cloth saturated with clear water (optionally mild soap water) and gently wipe the area in one direction (no circular motion). Wipe dry with another cotton cloth.

To clean a stubborn stain, use methylated spirit and follow the same procedure.

Clean rear projection surfaces in case of imperative only!

WARRANTY

The warranty period for production deficiencies is 5 years for the frame elements and 24 months for the projection surface.

NOTICE

Mobile projection screens are developed for indoor use only.
Any damage and consequential damage caused by outdoor use is not covered by warranty.

The general terms and conditions are available at www.AVstumpfl.com/agb

LIMITATION OF LIABILITY

All the details in this manual were compiled in consideration of the standards and legal regulations applicable at this time, as well as the experience of the manufacturer and qualified staff. The manufacturer accepts no liability for damage to persons or things (projection screen, other devices, goods, etc.) resulting from:

- Non-observance of the manual and the regulations/safety instructions contained therein.
- Failure to comply with the local safety regulations.
- Inappropriate use (misuse).
- Use of unauthorized and non-trained staff.
- Unauthorized equipment conversions and technical modifications by the operator himself.
- Use of spare parts not approved by the manufacturer.
- Typesetting and print errors.

Failure to observe the above points will invalidate the warranty claims.
Technical specifications are subject to change without notice.

The local regulations and safety regulations and the essential safety requirements apply for the use of this projection screen.

DISPOSAL

At the end of its lifetime this product must not be disposed of with normal household waste but needs to be taken to a collection site for recycling.

Separate disposal of the product makes an important contribution towards environmental protection.

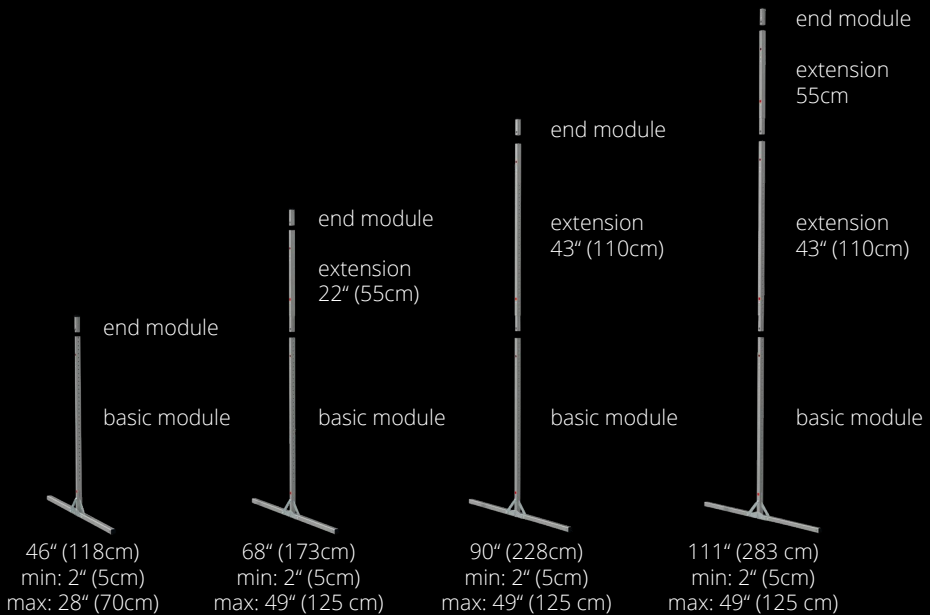
Frame components and legs are made of aluminum and steel.

The projection material is PVC vinyl.

Contact your local disposal company for the address of a collection center.

SUBJECT TO MODIFICATIONS, ERRORS EXPECTED !

LEG VARIANTS



T32-SHIFT legs can be assembled in four different lengths. According to the screen frame height and the desired set-up height the leg can be assembled with the following lengths: 46" (118cm), 68" (173cm), 90" (228cm) and 111" (283cm).

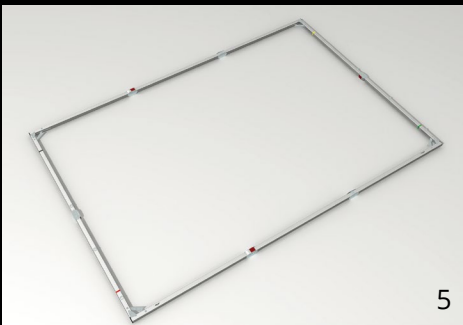
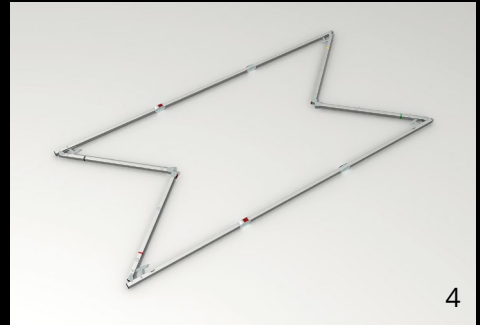
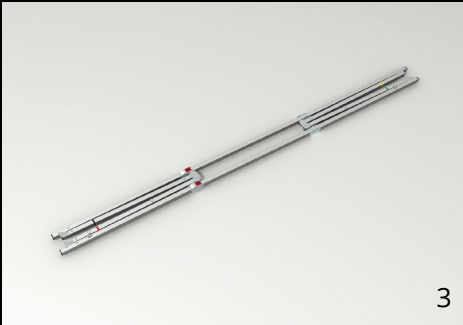
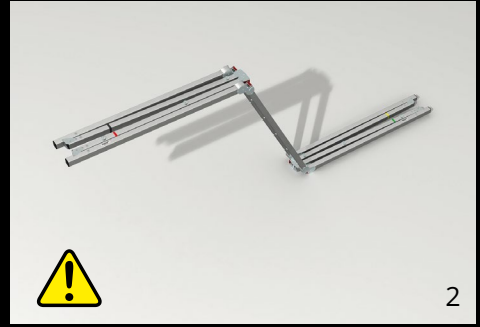
Compatible with all mobile AV Stumpfl screen systems.

Please mind the maximum set-up height of the leg:

min: minimum height of the bottom edge of the frame

max: maximum height of the bottom edge of the frame without additional safeguarding

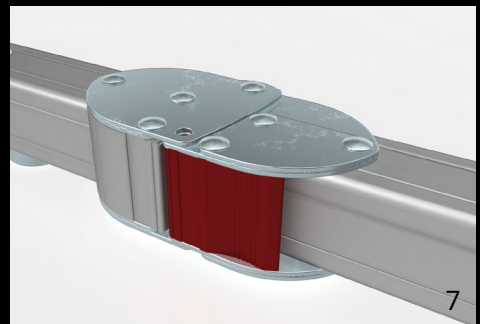
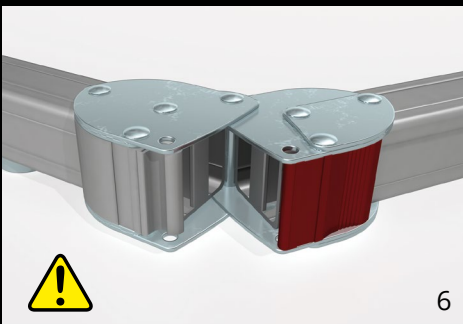
Set-up heights are points of reference and have to be adapted in accordance with the screen size and ambient conditions. Set-up heights are based on absolute vertical alignment at indoors without additional force effects (e.g.: wind, air condition draught,..)

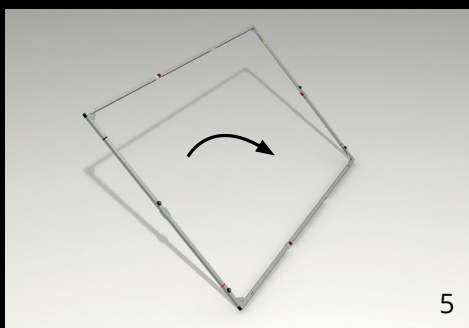
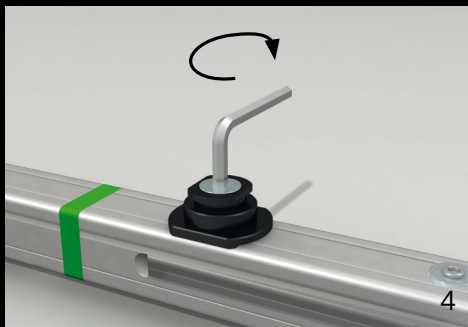
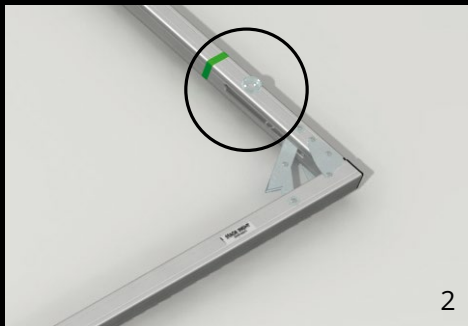
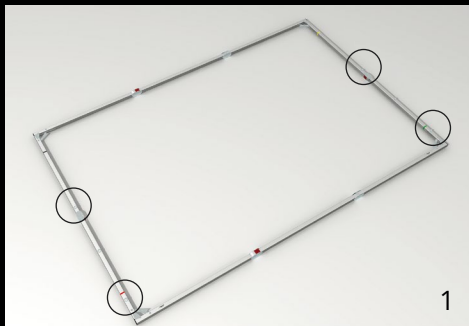


ADAPTION AND ASSEMBLY

To prepare your mobile projection screen for use with the T32-SHIFT legs, you have to attach adapters to the backside of the frame – once only. **1-7** Unfold the screen frame with the backside facing upwards. Open the folded frame horizontally **1-3** and then vertically **4-5**. The locking hinges engage and lock automatically **6-7**.

⚠ CAUTION Beware of pinch points!

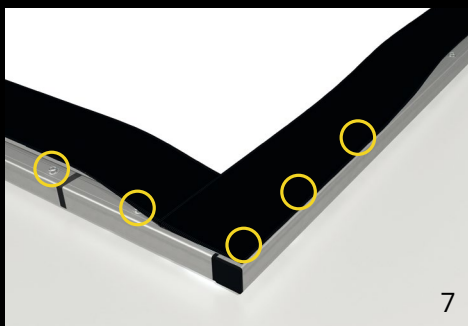




ADAPTERS

1-4 Attach the frame adapters to the round „spacers“ on the backside of the screen, with the enclosed countersunk screws, using the hexagonal spanner. **5-7** Flip the frame and attach the projection surface.

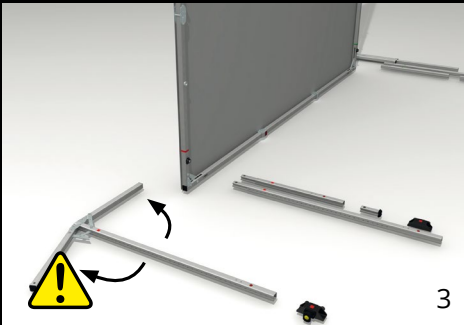
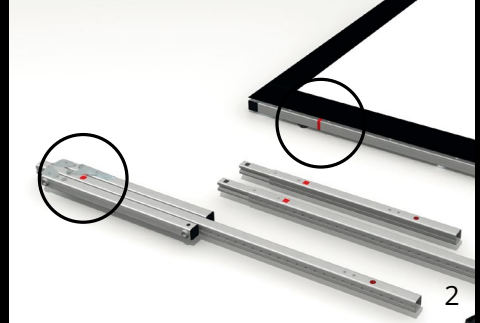
⚠ CAUTION Beware of pinch points!

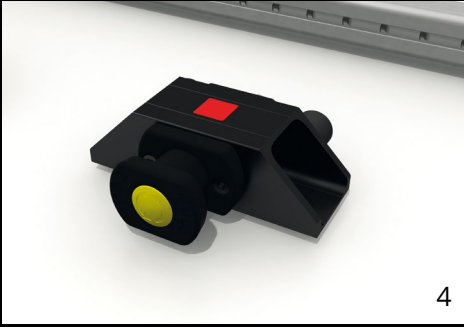


ATTACHING THE T32-SHIFT LEGS

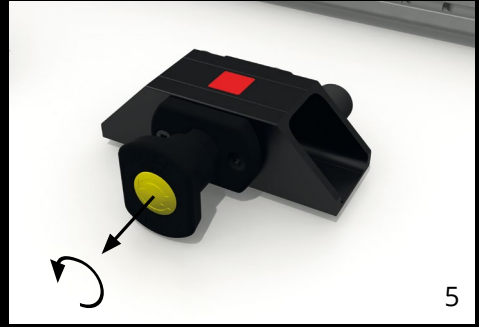
1-2 Lay out the leg components next to each bottom corner of the frame. Each component is labeled either with a red or green square, which indicates the corresponding side of the frame. **3** Start with the base module. Open and secure the base bars.

⚠ CAUTION Beware of pinch points!

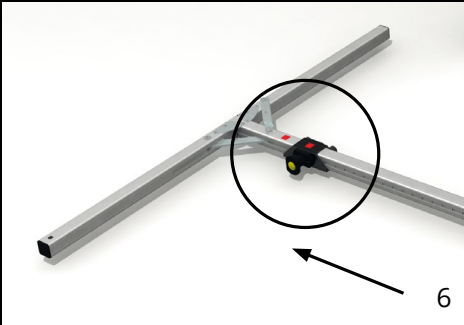




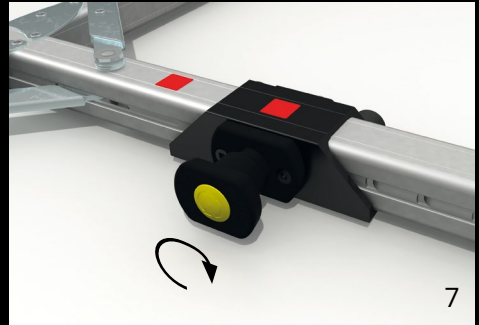
4



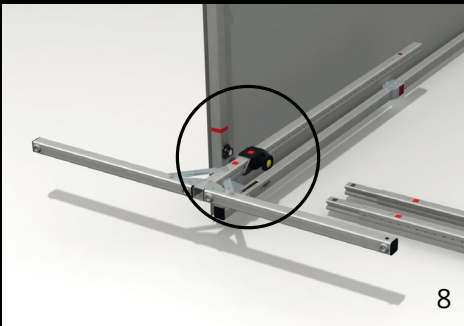
5



6



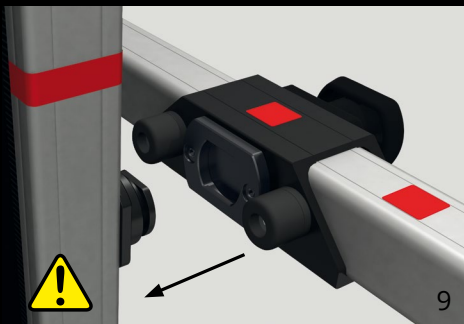
7



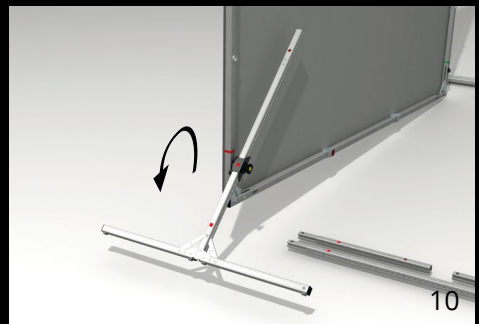
8

- 4-5** Loosen the locking mechanism. Just pull the button and turn it counterclockwise.
- 6-7** Next, slide the locking-module onto the lowest point of the base module. Make sure that the colored squares match.
- 8-9** Lift the base module and place the locking module onto the frame adapter in a horizontal position.
- 10** Secure the bayonet coupling by turning the base module in a vertical position.

⚠ CAUTION Beware of pinch points!



9

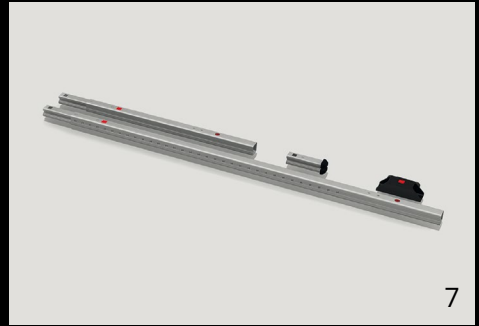


10

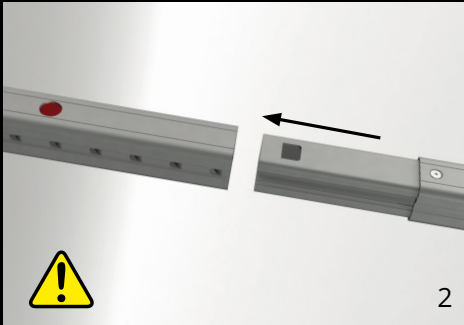
EXTENSION PARTS

1-2 Next, start to assemble the extension parts and the end module. Just plug together the components so that the colored labels are on the same side. The snap-lock will engage automatically. **3-6** Attach the sliding module in a slightly off axis angle. Check that the colored labels are matching and slide in the extension parts. **7** Turn the extension parts vertically and connect them with the base module.

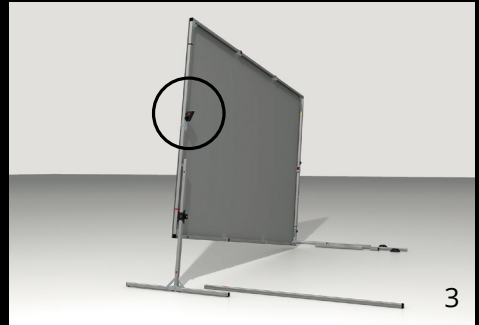
⚠ CAUTION Beware of pinch points!



7



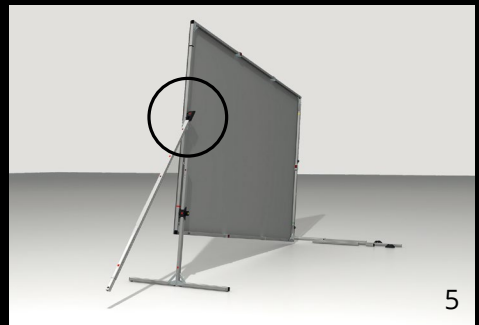
2



3



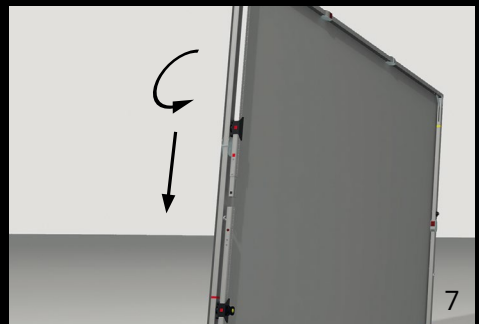
4



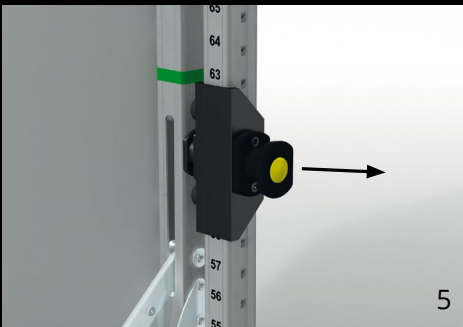
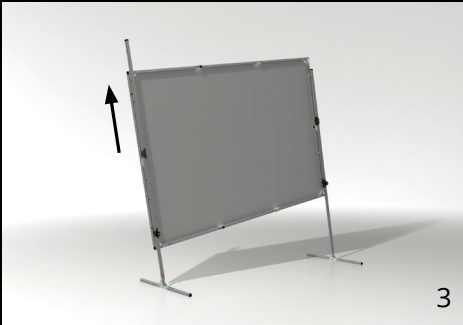
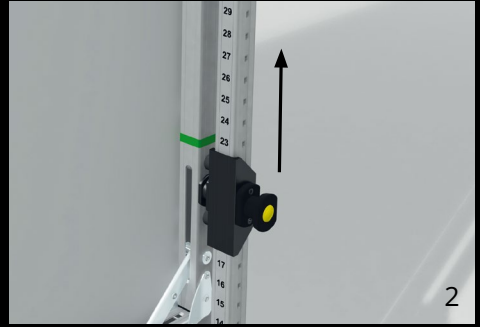
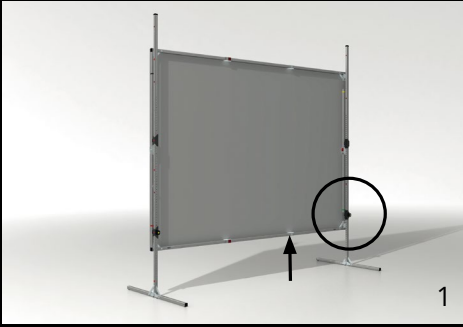
5



6

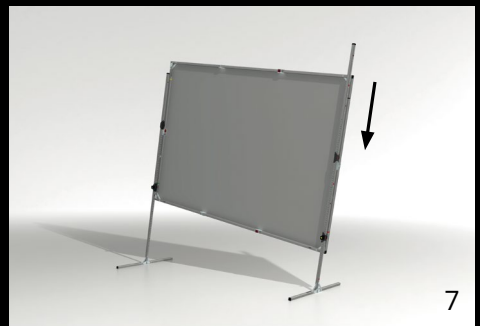
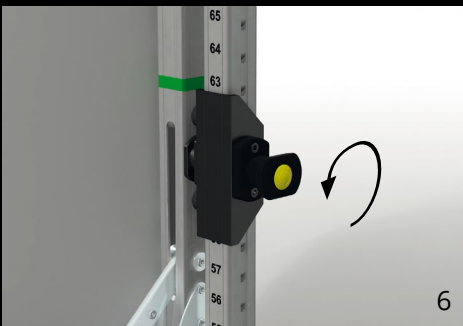


7



HEIGHT ADJUSTMENT

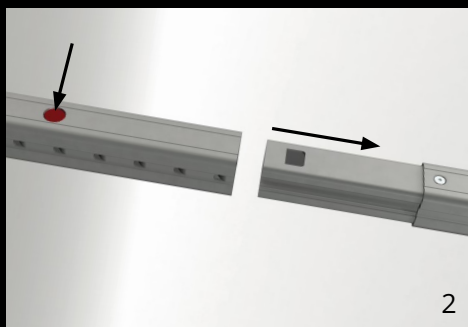
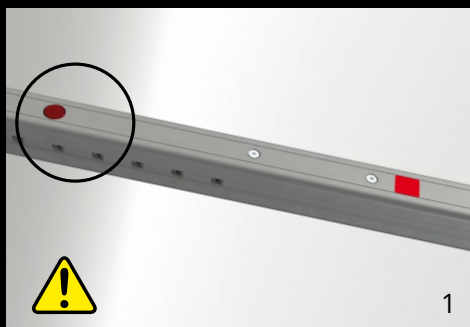
1-7 To adjust the screen height, one can start at the bottom of the scale and simply move the screen up to the preferred position. The T32-SHIFT will lock automatically. The height can be adjusted in one-inch steps (2,54cm). No extra measuring is needed to ensure the frame is level, due to clearly marked height scales.



DISASSAMBLY

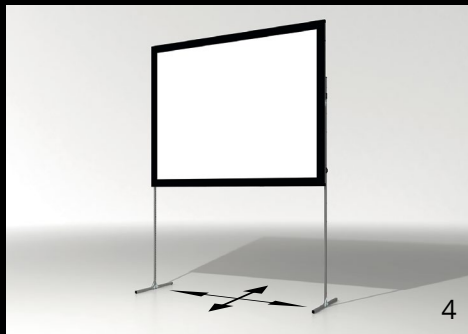
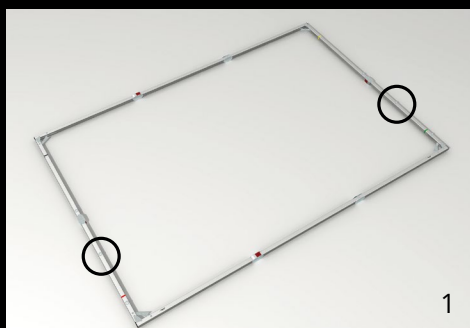
⚠ WARNING Danger of injury due to improper disassembly.
Falling parts can cause severe injury or death!

1-2 The snap lock is released by the red button. The profiles then can be separated.



TRANSPORT LOCK BOLTS

1-4 To allow a single person to lift and move the screen, optional transport lock bolts can be attached. For that turn the transport lock bolt against the T32-SHIFT leg.



SUBSEQUENT VARIO FRAME MODIFICATION

BVZ-MOD/HM/SHIFT

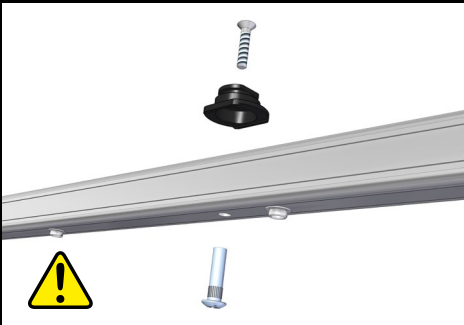
SCREEN MODIFICATION VARIO,

SLEEVE NUT M6 + COUNTERSUNK SCREW M6X30MM

All VARIO screens that are already in use can easily be adapted subsequently on site for use with SHIFT legs. All one must do is to drill a hole and bolt an adapter onto the plug-in profiles. Detailed instructions can be found in the related manual.

Optionally we offer a factory-based service of a subsequent attachment of additional insert nuts with spacers to mount frame adapters for SHIFT legs.

⚠ CAUTION Beware of pinch points!



(picture VARIO 32)



AV Stumpfl GmbH | Mitterweg 46 | 4702 Wallern
AVstumpfl@AVstumpfl.com | www.AVstumpfl.com | +43 7249 42811